

## Artwork Specification 6pp 1/3 A4 Leaflet Outside

**Final Print Size**  
297 mm x 210 mm

**Final Artwork Size**  
303 mm x 216 mm

All images must be 300 dpi  
All fonts must be embedded or converted to outlines

All text must be within the Safe Area  
(3mm inside the cut edge)

All background images must extend to the Bleed  
(3mm past the cut edge)

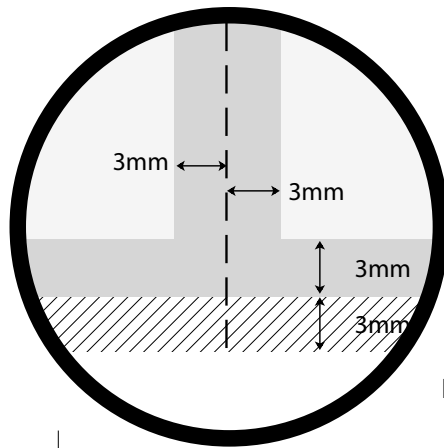
**Final Size**  
210mm

**Format**  
We only accept your artwork as CMYK format PDF

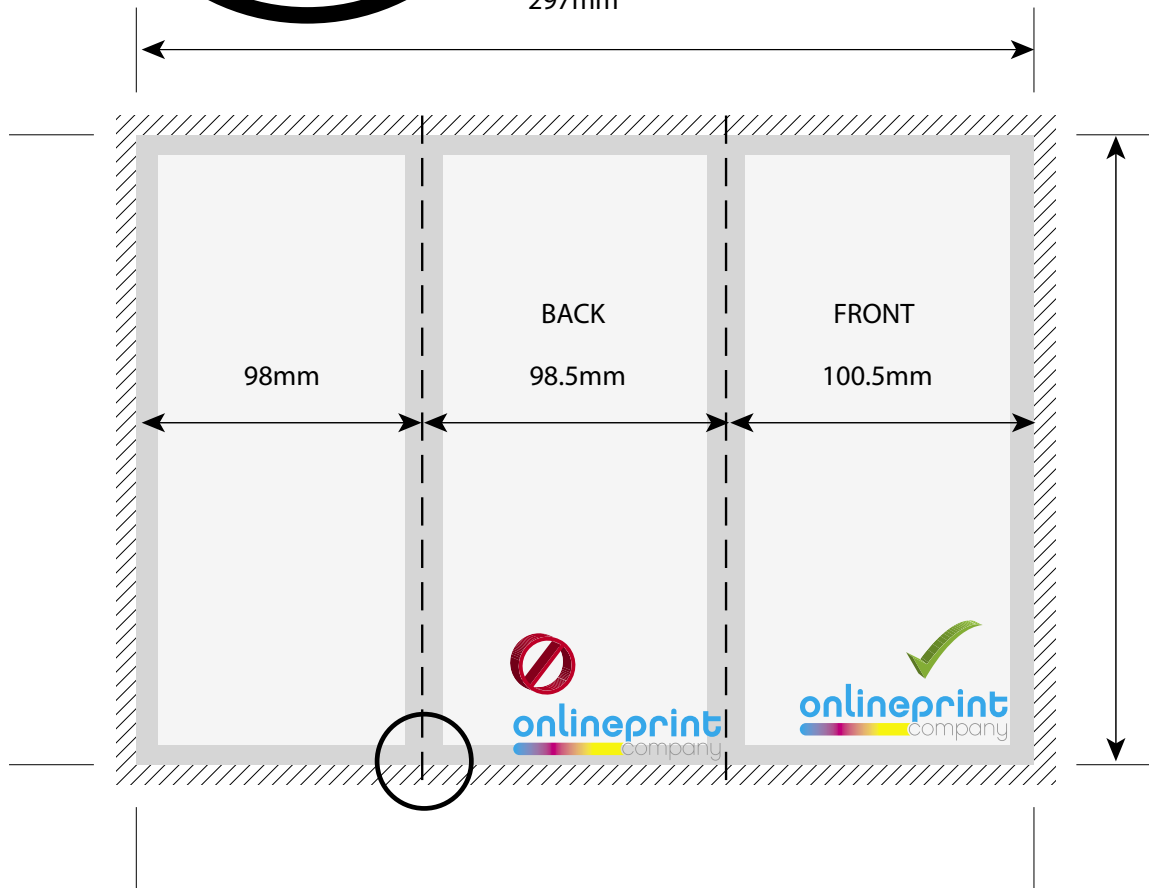
**Uploads**  
Upload files to a maximum of 200MB.  
Larger files? We recommend you use [www.mailbigfile.com](http://www.mailbigfile.com)

If so, please send it to [colin@theonlineprintcompany.com](mailto:colin@theonlineprintcompany.com)  
and state your order clearly in the message box provided.

If you need any further assistance with any of this,  
please don't hesitate to give us a call on 0845 643 4472



**Final Size**  
297mm



 Bleed Area of 3mm     Safety Margin of 3mm     Safe Zone

## Artwork Specification 6pp 1/3 A4 Leaflet Inside

**Final Print Size**  
297 mm x 210 mm

**Final Artwork Size**  
303 mm x 216 mm

All images must be 300 dpi  
All fonts must be embedded or converted to outlines

All text must be within the Safe Area  
(3mm inside the cut edge)

All background images must extend to the Bleed  
(3mm past the cut edge)

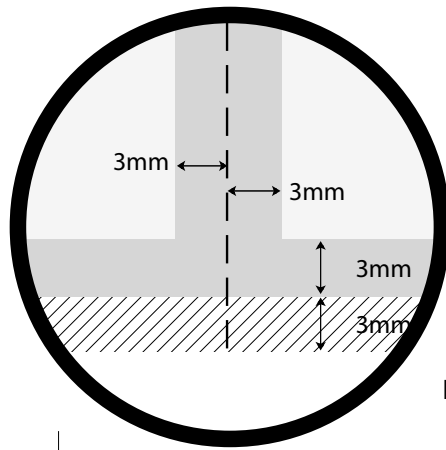
Final Size  
210mm

**Format**  
We only accept your artwork as CMYK format PDF

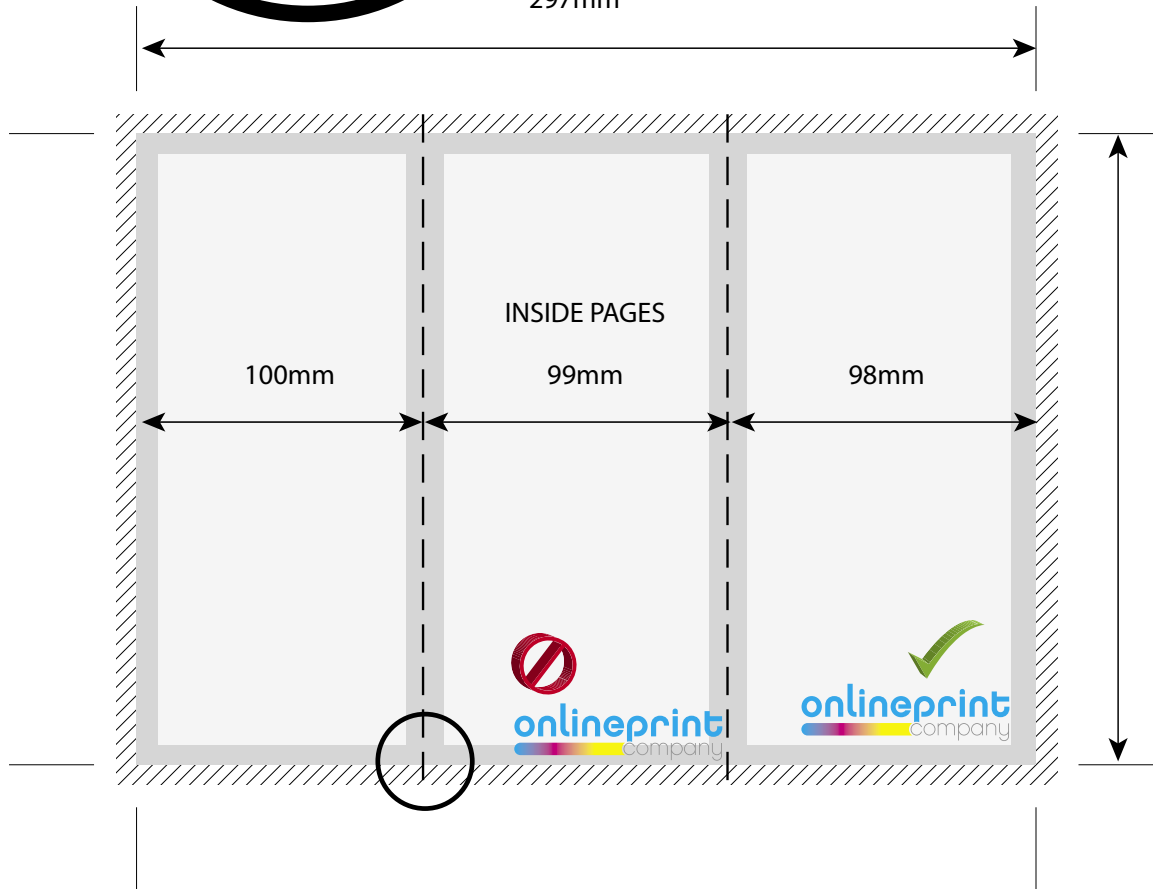
**Uploads**  
Upload files to a maximum of 200MB.  
Larger files? We recommend you use [www.mailbigfile.com](http://www.mailbigfile.com)

If so, please send it to [colin@theonlineprintcompany.com](mailto:colin@theonlineprintcompany.com)  
and state your order clearly in the message box provided.

If you need any further assistance with any of this,  
please don't hesitate to give us a call on 0845 643 4472



Final Size  
297mm



 Bleed Area of 3mm     Safety Margin of 3mm     Safe Zone